



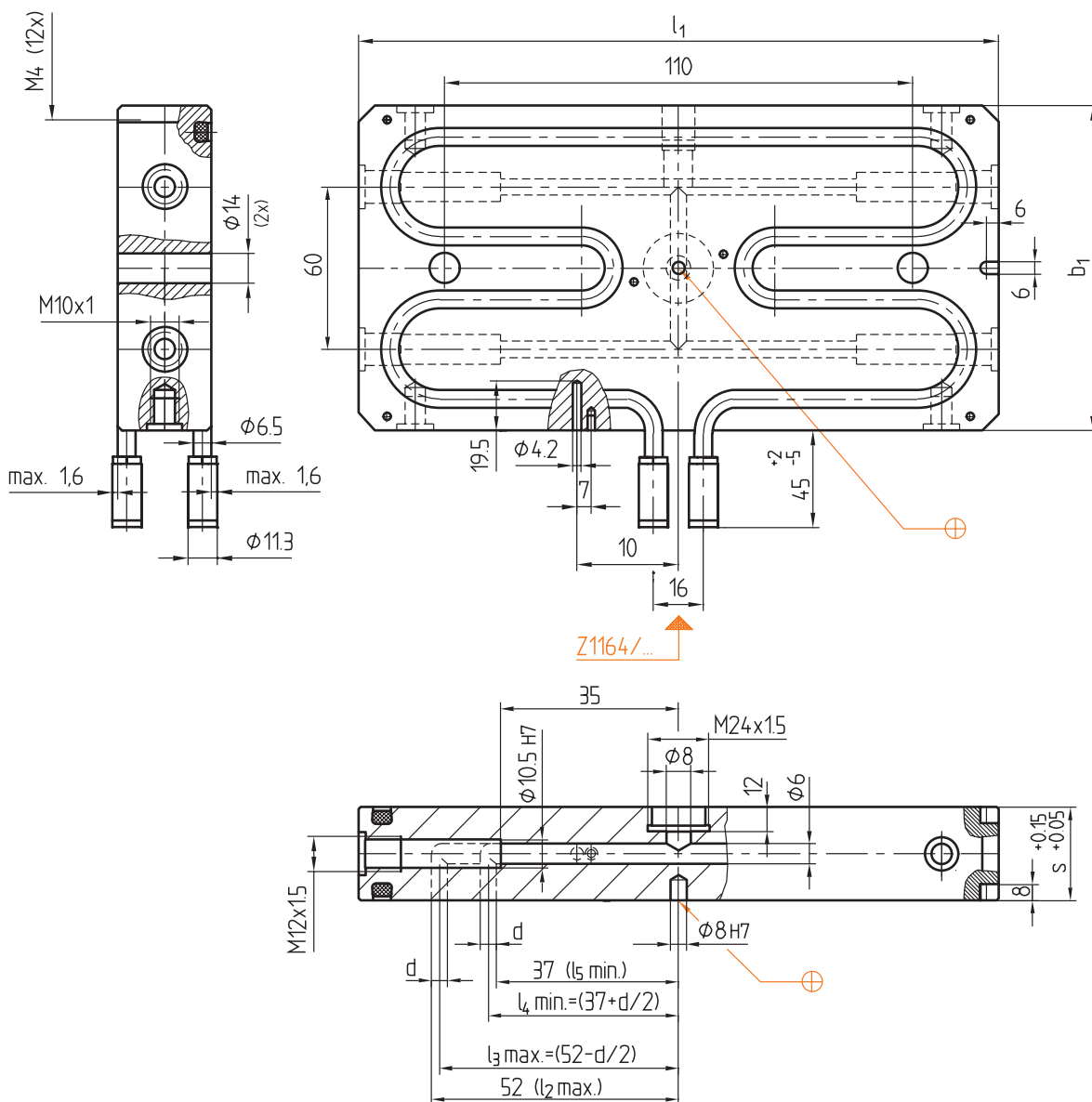


Z 106/2/...

Mat.: 1.2312/1080 N/mm<sup>2</sup>  
230 V~



► Info



Zubehör-Sortiment Accessory kit Gamme d'accessoires	Z 1064/2/...	Watt	max. d	Typ	b <sub>1</sub>	l <sub>1</sub>	s	Nr./No.
Z 1067/2/6/2	.../112x160	2x800	6	2	112	160	36	Z 106/2/112x160/36

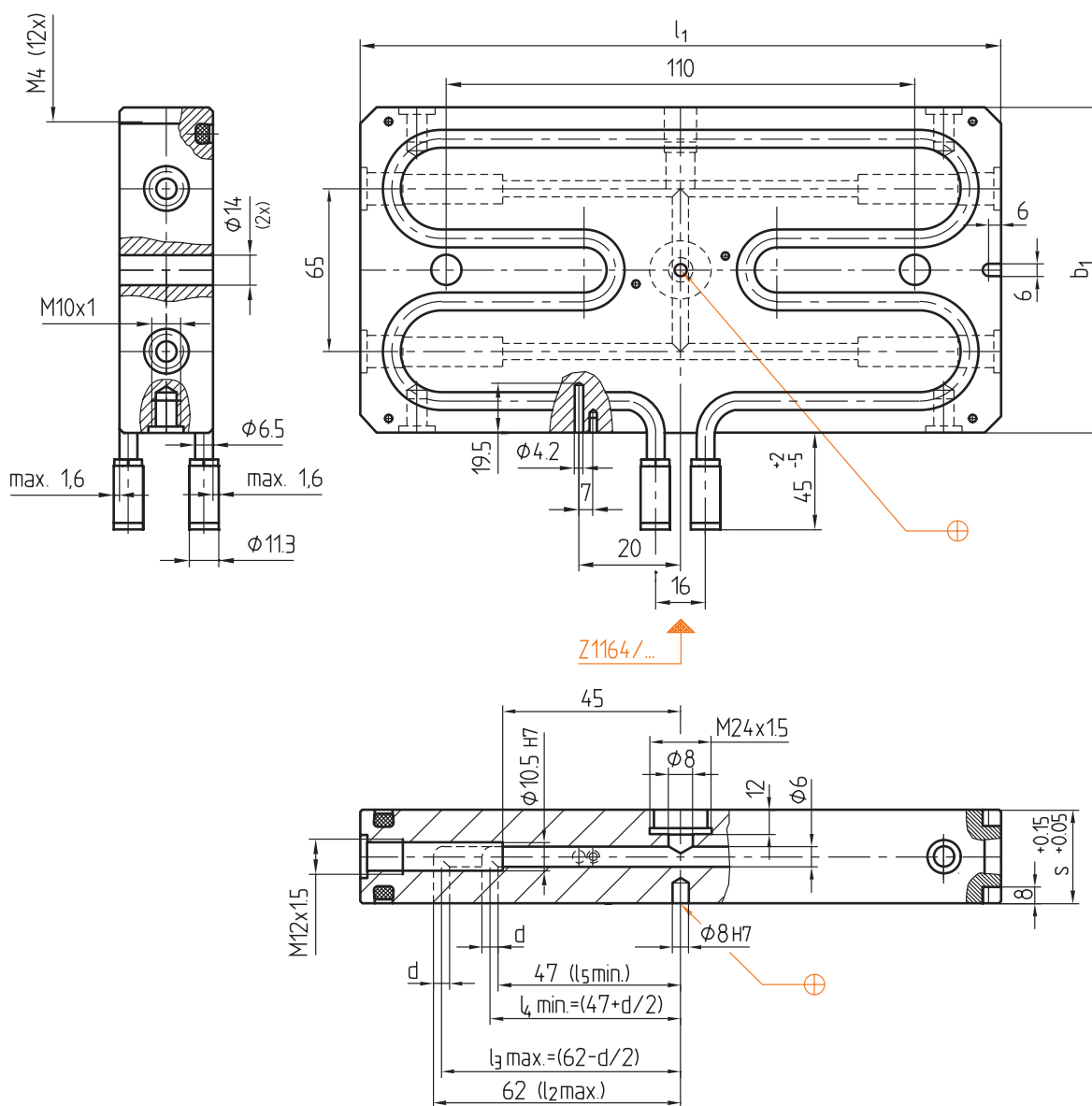
This is trial version  
www.adultpdf.com

Z106/2/...

Mat.: 1.2312/1080 N/mm<sup>2</sup>  
230 V~



► Info



Zubehör-Sortiment Accessory kit Gamme d'accessoires	Z1064/2/...	Watt	max. d	Typ	b <sub>1</sub>	l <sub>1</sub>	s	Nr./No.
Z1067/2/6/2	125x180	2x800	6	2	125	180	36	Z106/2/125x180/36

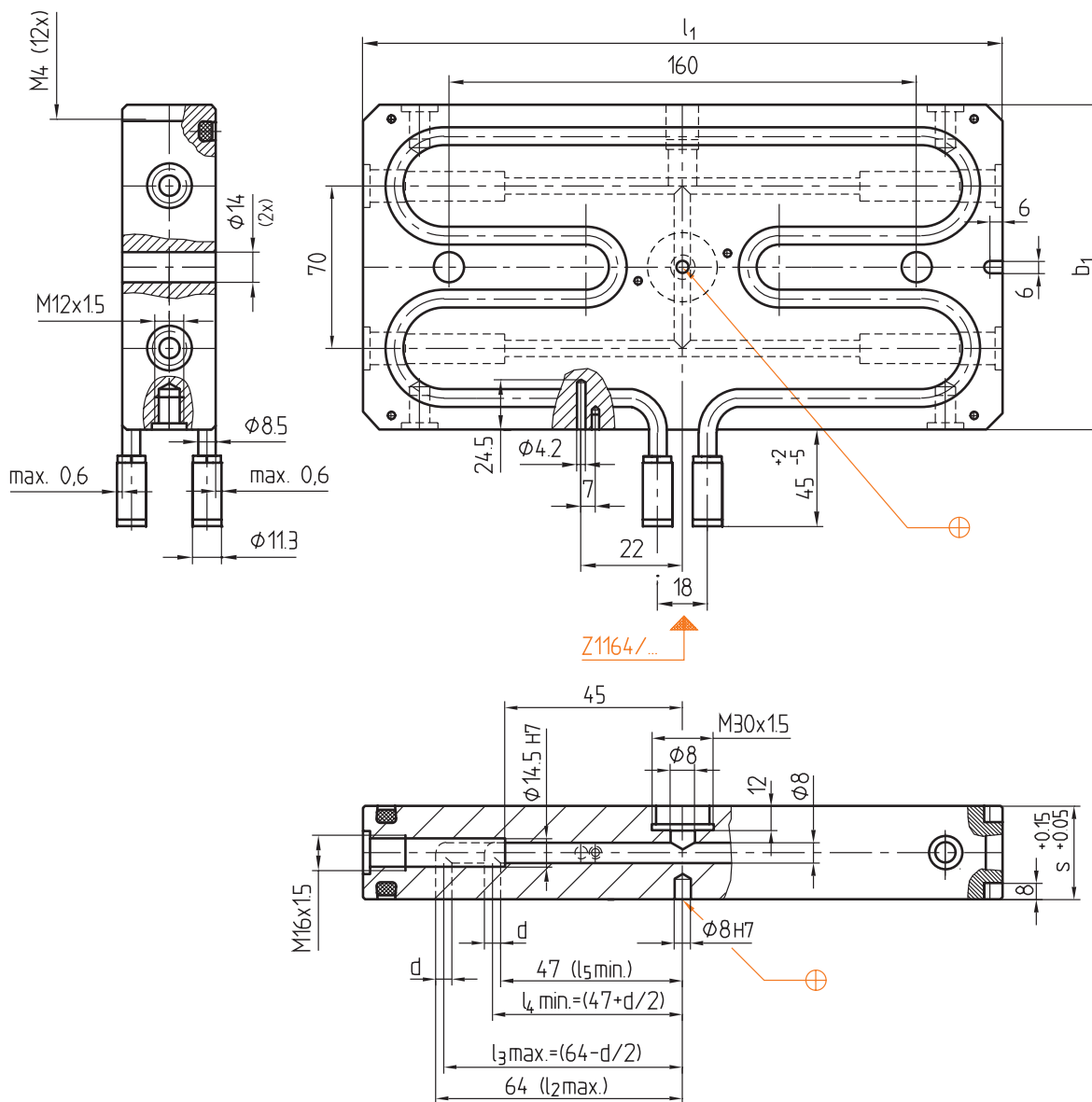
This is trial version  
www.adultpdf.com

Z 106/2/...

Mat.: 1.2312/1080 N/mm<sup>2</sup>  
230 V~



► Info



Zubehör-Sortiment Accessory kit Gamme d'accessoires	Z 1064/2/...	Watt	max. d	Typ	b <sub>1</sub>	l <sub>1</sub>	s	Nr./No.
Z 1067/2/8/2	.../140x200	2x1000	8	2	140	200	46	Z 106/2/140x200/46

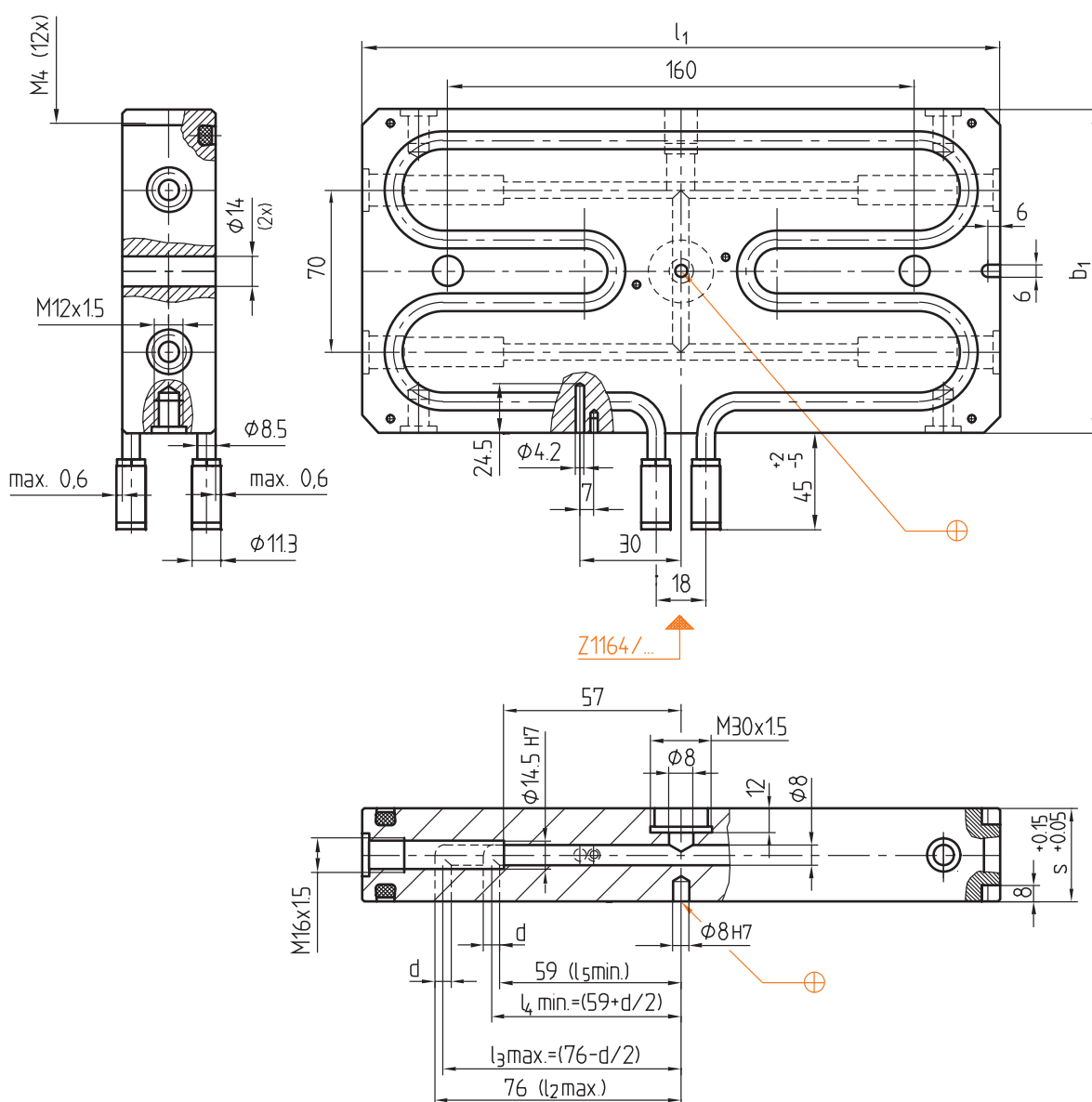
This is trial version  
www.adultpdf.com

Z 106/2/...

Mat.: 1.2312/1080 N/mm<sup>2</sup>  
230 V~



► Info

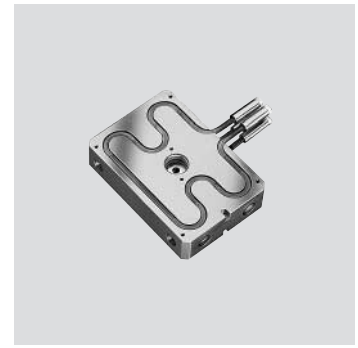


Zubehör-Sortiment Accessory kit Gamme d'accessoires	Z 1064/2/...	Watt	max. d	Typ	b <sub>1</sub>	l <sub>1</sub>	s	Nr./No.
Z 1067/2/8/2	140x224	2x1000	8	2	140	224	46	Z 106/2/140x224/46

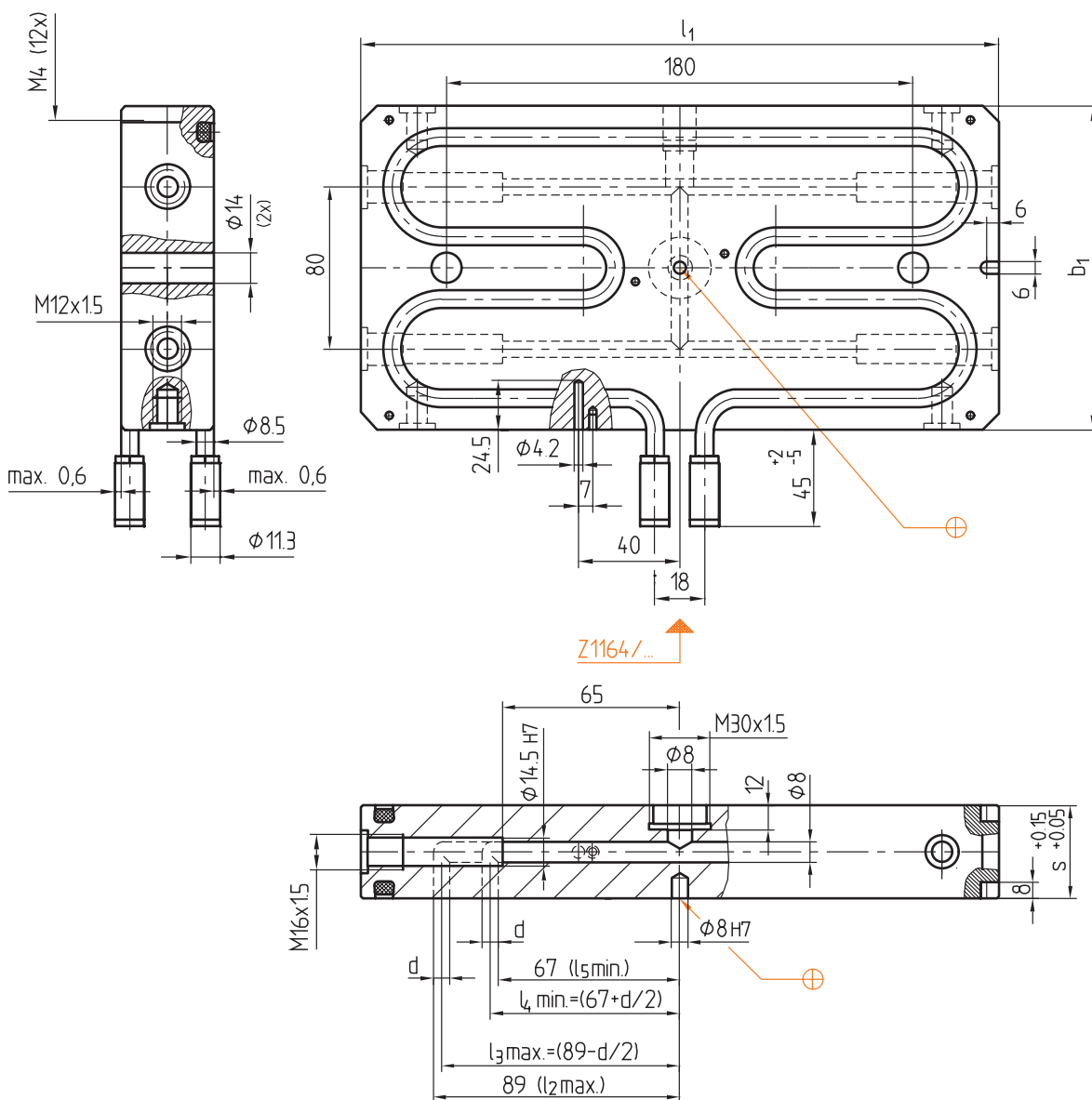
This is trial version  
www.adultpdf.com

Z 106/2/...

Mat.: 1.2312/1080 N/mm<sup>2</sup>  
230 V~



► Info

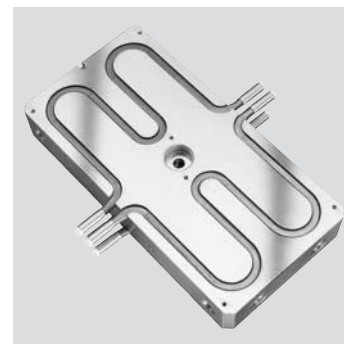


Zubehör-Sortiment Accessory kit Gamme d'accessoires	Z 1064/2/...	Watt	max. d	Typ	b <sub>1</sub>	l <sub>1</sub>	s	Nr./No.
Z 1067/2/8/2	.../160x250	2x 1000	8	2	160	250	46	Z 106/2/160x250/46

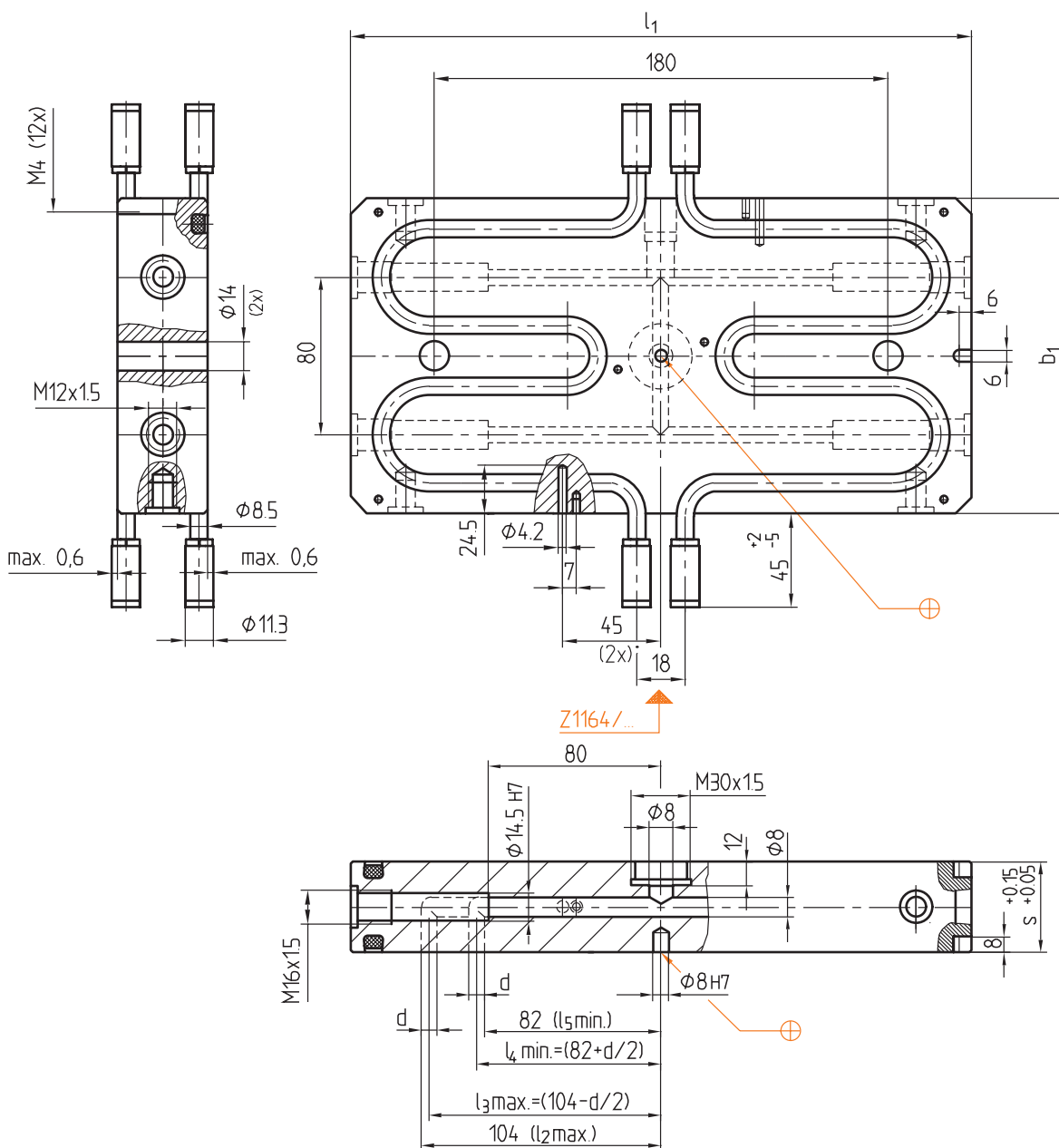
This is trial version  
www.adultpdf.com

Z 106/2/...

Mat.: 1.2312/1080 N/mm<sup>2</sup>  
230 V~



► Info



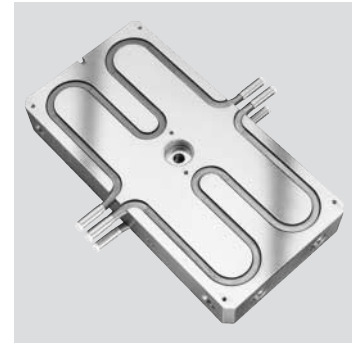
Zubehör-Sortiment Accessory kit Gamme d'accessoires	Z 1064/2/...	Watt	max. d	Typ	b <sub>1</sub>	l <sub>1</sub>	s	Nr./No.
Z 1067/2/8/4	160x280	4x630	8	2	160	280	46	Z 106/2/160x280/46

This is trial version  
www.adultpdf.com

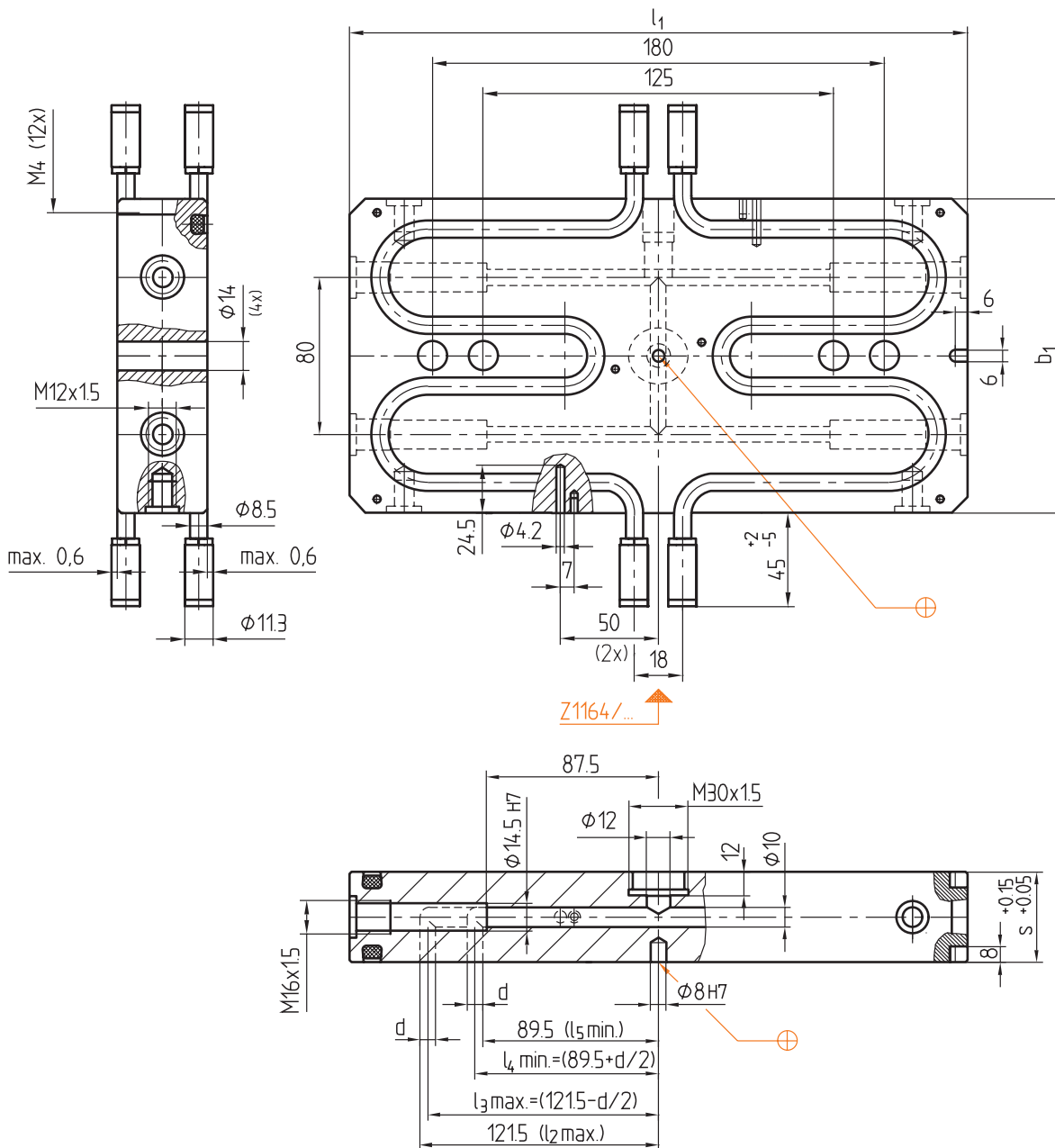


Z 106/2/...

Mat.: 1.2312/1080 N/mm<sup>2</sup>  
230 V~



► Info



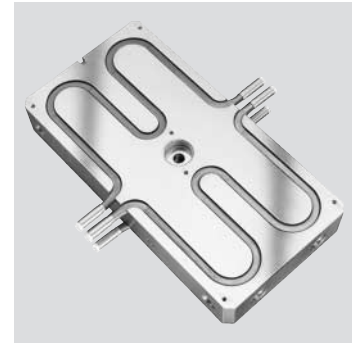
Zubehör-Sortiment Accessory kit Gamme d'accessoires	Z 1064/2/...	Watt	max. d	Typ	b <sub>1</sub>	l <sub>1</sub>	s	Nr./No.
Z 1067/2/10/4	.../160x315	4x630	8	2	160	315	46	Z 106/2/160x315/46

This is trial version  
www.adultpdf.com

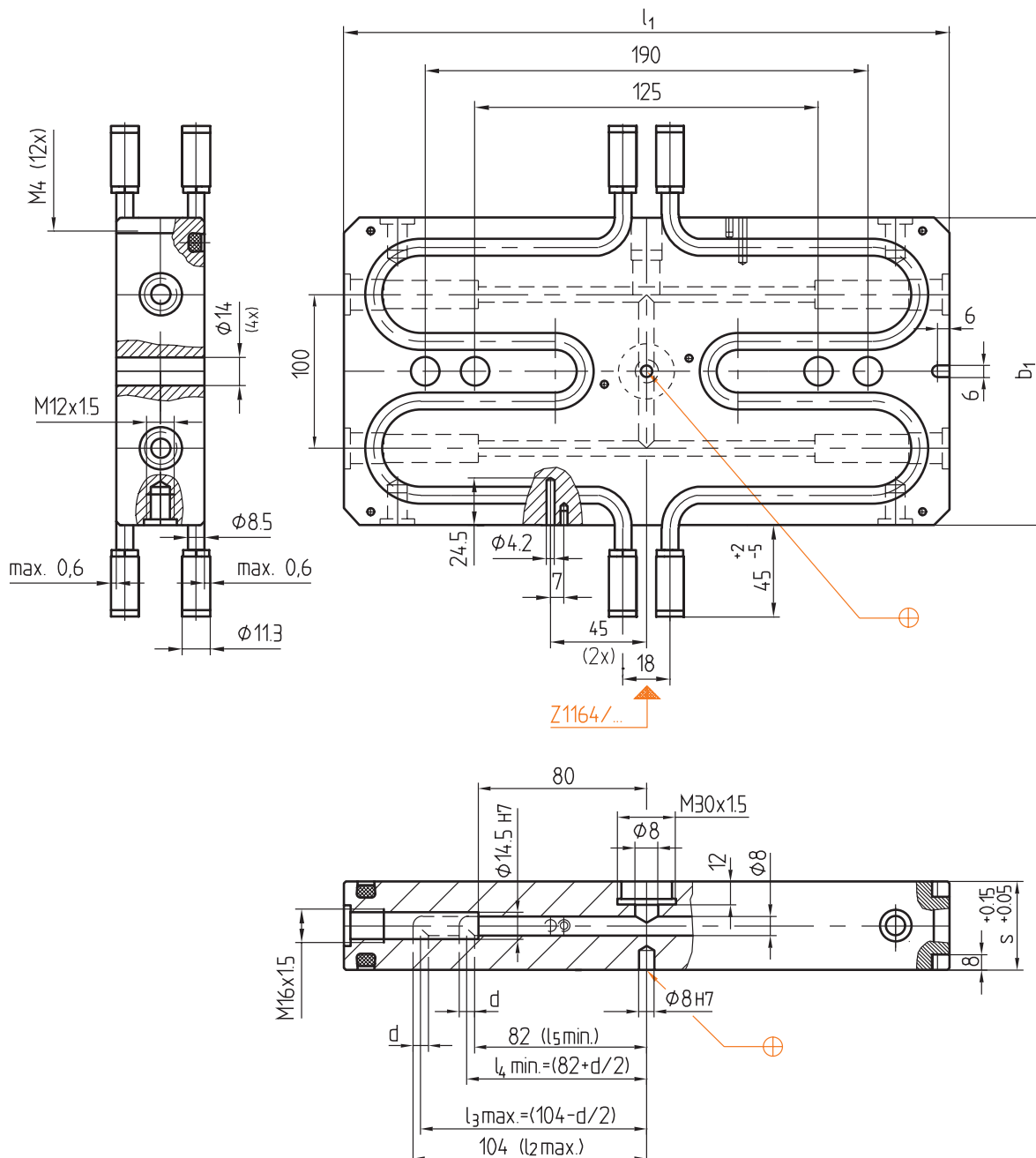


Z 106/2/...

Mat.: 1.2312/1080 N/mm<sup>2</sup>  
230 V~



► Info

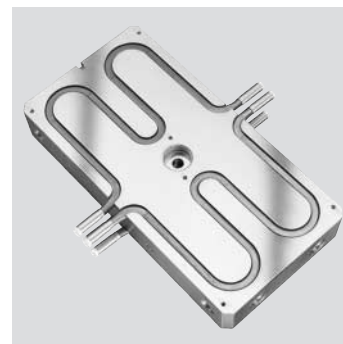


Zubehör-Sortiment Accessory kit Gamme d'accessoires	Z 1064/2/...	Watt	max. d	Typ	b <sub>1</sub>	l <sub>1</sub>	s	Nr./No.
Z 1067/2/8/2	.../180x280	4x630	8	2	180	280	46	Z 106/2/180x280/46

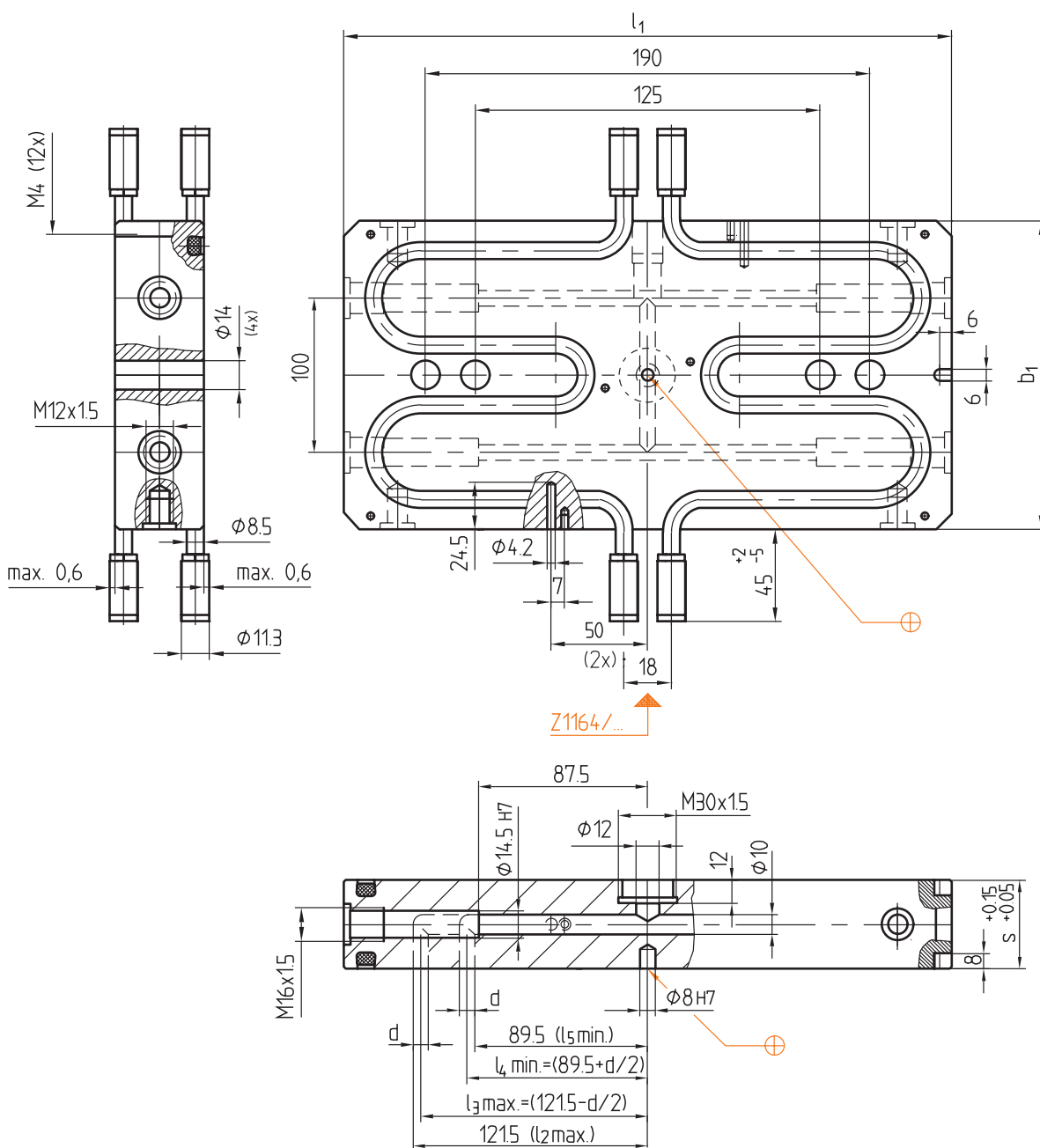
This is trial version  
www.adultpdf.com

Z 106/2/...

Mat.: 1.2312/1080 N/mm<sup>2</sup>  
230 V~



► Info



Zubehör-Sortiment Accessory kit Gamme d'accessoires	Z 1064/2/...	Watt	max. d	Typ	b <sub>1</sub>	l <sub>1</sub>	s	Nr./No.
Z 1067/2/10/4	180x315	4x800	8	2	180	315	46	Z 106/2/180x315/46

This is trial version  
www.adultpdf.com







